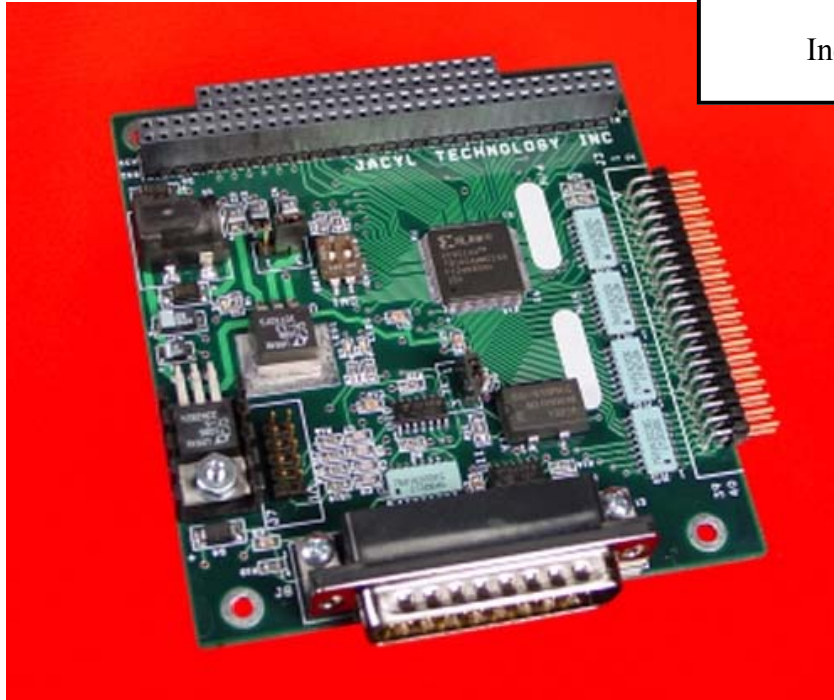




PC/104 CPLD Board

RP-3200



- Applications:
- Rapid Prototyping
 - Consumer Electronics
 - Industrial

FEATURES:

- Xilinx XC95144-15QT100C CPLD with 144 macro cells, 3200 usable gates and advanced CMOS 5V FastFLASH technology.
- PC/104 bus compatible and board compliant.
- Fully supported by the Xilinx free Webpack software.
- Circuitry based upon the Xilinx Parallel Cable III incorporated directly on the board.
- Master clock can be driven by the PC104 bus or a 50Mhz oscillator installed directly on the board.
- Selectable 3.3V or 5V I/O capability.
- High-drive 24mA outputs.
- 34 programmable IO pins
- IEEE 1149.1 JTAG compliant input on board.
- Programming ability using a straight through DB-25 parallel cable between the board and the host computer.
- Power sources either through the PC/104 bus or an external power source.

SPECIFICATIONS:

Board Dimensions:	3.55" x 3.775"
External Power Source:	6.5 to 14VDC, 200mA minimum (current is dependent upon density and features programmed in the CPLD and I/O utilization)

DESCRIPTION:

The RP-3200 is a PC/104 based board featuring a Xilinx CPLD with 3200 usable gates, integrated circuitry based upon the Xilinx Parallel Download Cable III, extensive IEEE 1149.1 (JTAG) boundary-scan support, selectable oscillator configuration and a selectable 3.3V or 5V I/O capability. The board uses the Xilinx XC95144 CPLD which has extensive features including; advanced CMOS 5V FastFLASH technology, enhanced pin-locking architecture, high-drive 24mA outputs, and extended pattern security features for design protection. The RP-3200 can be powered from the PC/104 bus or can be powered from an external DC source allowing the board to be utilized as a stacked module in PC/104 applications or as a standalone product design platform. This allows the board to be ideal in embedded PC/104 applications or to be utilized in development platforms, design prototypes or production products. The small size and versatility of the RP-3200 makes it a prime target for embedded applications or as an integrated part of a larger system.

Device Selection Table

Part Number	PC/104 Connector Style	Temperature Range
RP-3200-NC	Non-Stackthrough	Commercial
RP-3200-SC	Stackthrough	Commercial
RP-3200-NI	Non-Stackthrough	Industrial
RP-3200-SI	Stackthrough	Industrial

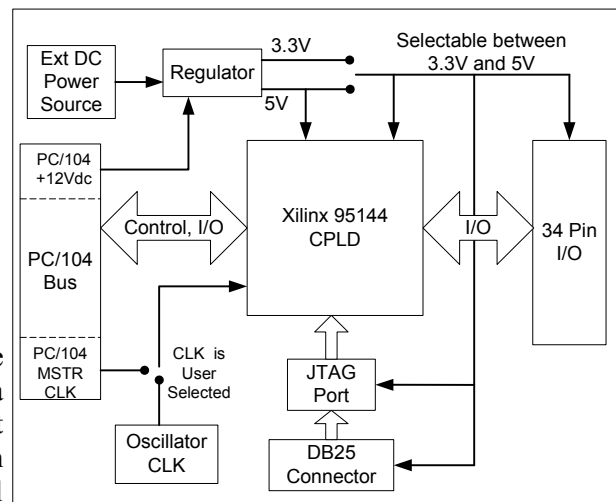
The RP-3200 allows the master clock to be manually selected from the PC/104 bus or from a 50MHz oscillator installed directly on the circuit board. Oscillator frequencies other than 50Mhz can be preinstalled on the RP-3200, contact Jacyl Technology for details.

The RP-3200 has integrated circuitry based upon the Xilinx Parallel Download Cable III incorporated directly on the circuit board. This allows the RP-3200 to be programmed only using a straight through parallel port cable, DB25, connected from a computers parallel port directly to the RP-3200. In addition, the RP-3200 also has a IEEE 1149.1 JTAG port on the circuit board allowing greater programming and JTAG communications versatility.

The form factor and robustness of the RP-3200 provides an ideal platform for embedded applications or as an integrated piece of a system.

Suggested applications (if any) are for standard use; See respective data sheet for limitations on special applications. See Limited Warranty for Jacyl Technology, Inc.'s product warranty. The Limited Warranty is in lieu, and exclusive of, all other warranties, express or implied. ALL EXPRESS AND IMPLIED WARRANTIES, INCLUDING THE WARRANTIES OF MERCHANTABILITY, FITNESS FOR USE AND FITNESS FOR A PARTICULAR PURPOSE, ARE SPECIFICALLY EXCLUDED. In no event will Jacyl Technology, Inc. be liable, or in any way responsible, for any incidental or consequential economic or property damage.

Block Diagram



The RP-3200 Data Sheet can be downloaded from www.jacyltechnology.com.

Jacyl Technology, Inc.
Fort Wayne, IN
Ph: 1-800-590-6067
1-260-471-6067
Email: sales@jacyl.com
www.jacyltechnology.com

Jacyl Technology, Inc.
P.O. Box 350